

51083

51082

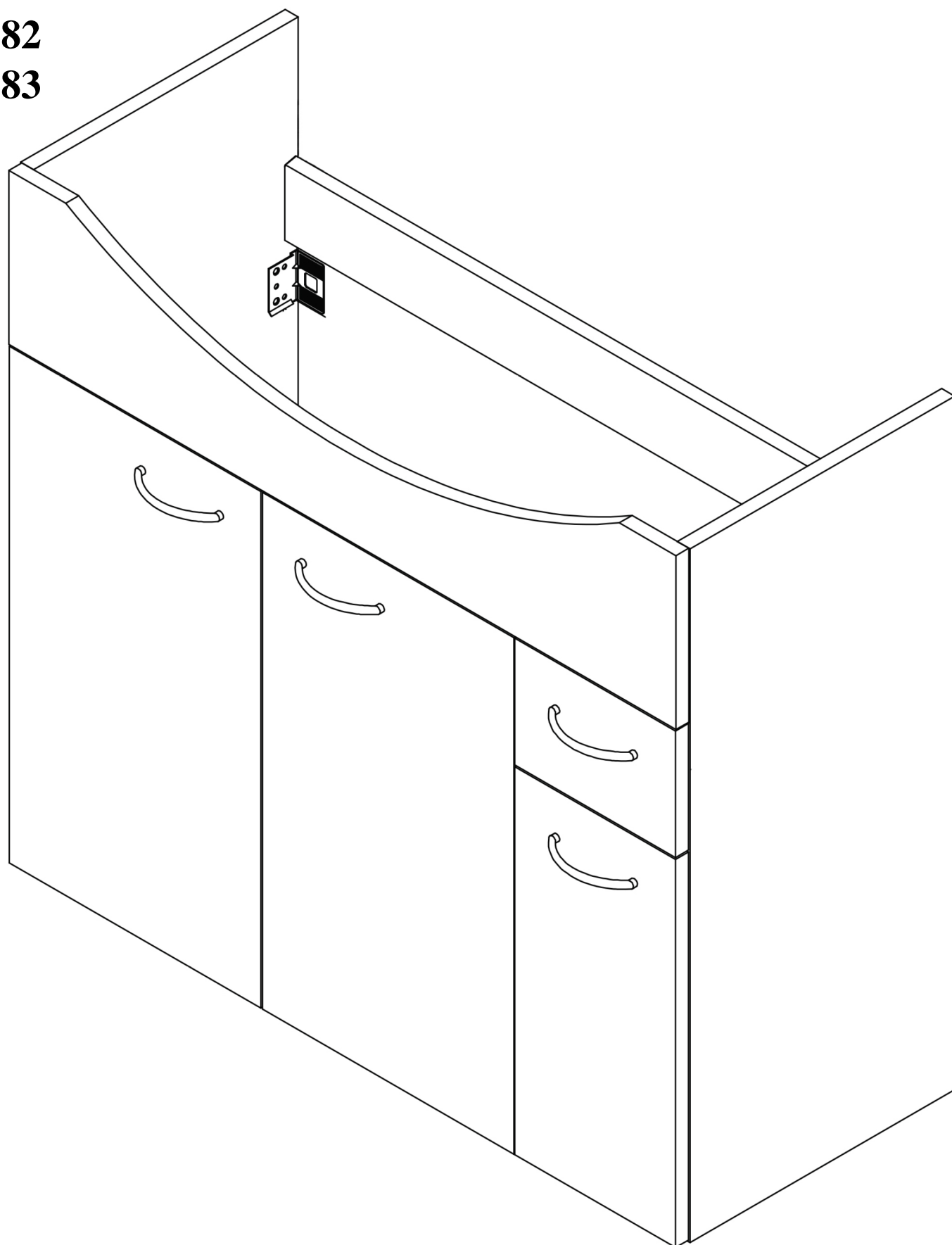
51094

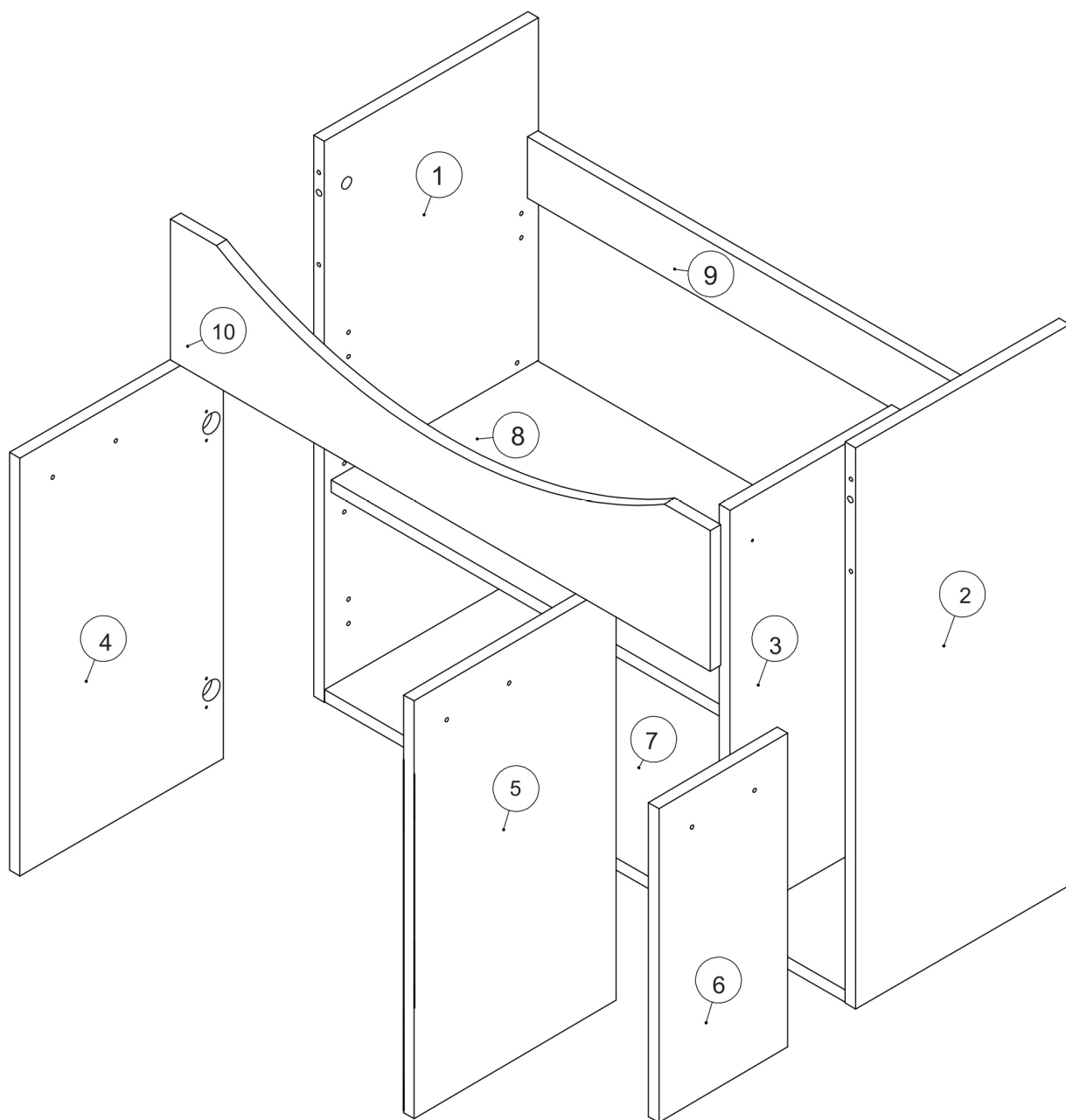
51095









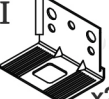











50082

50083

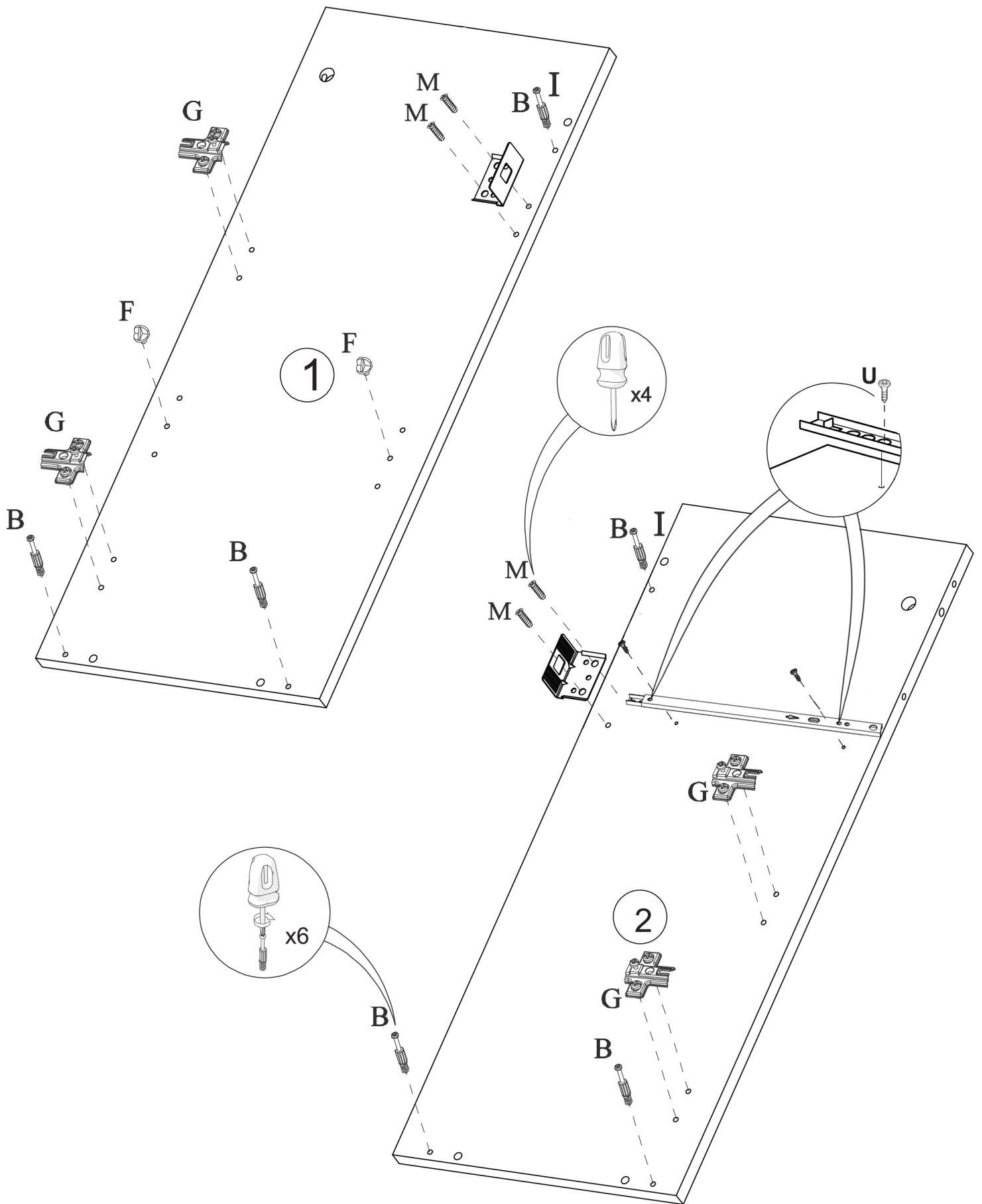
MONTÁŽNÍ NÁVOD
ASSEMBLY INSTRUCTION



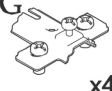
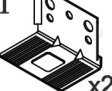







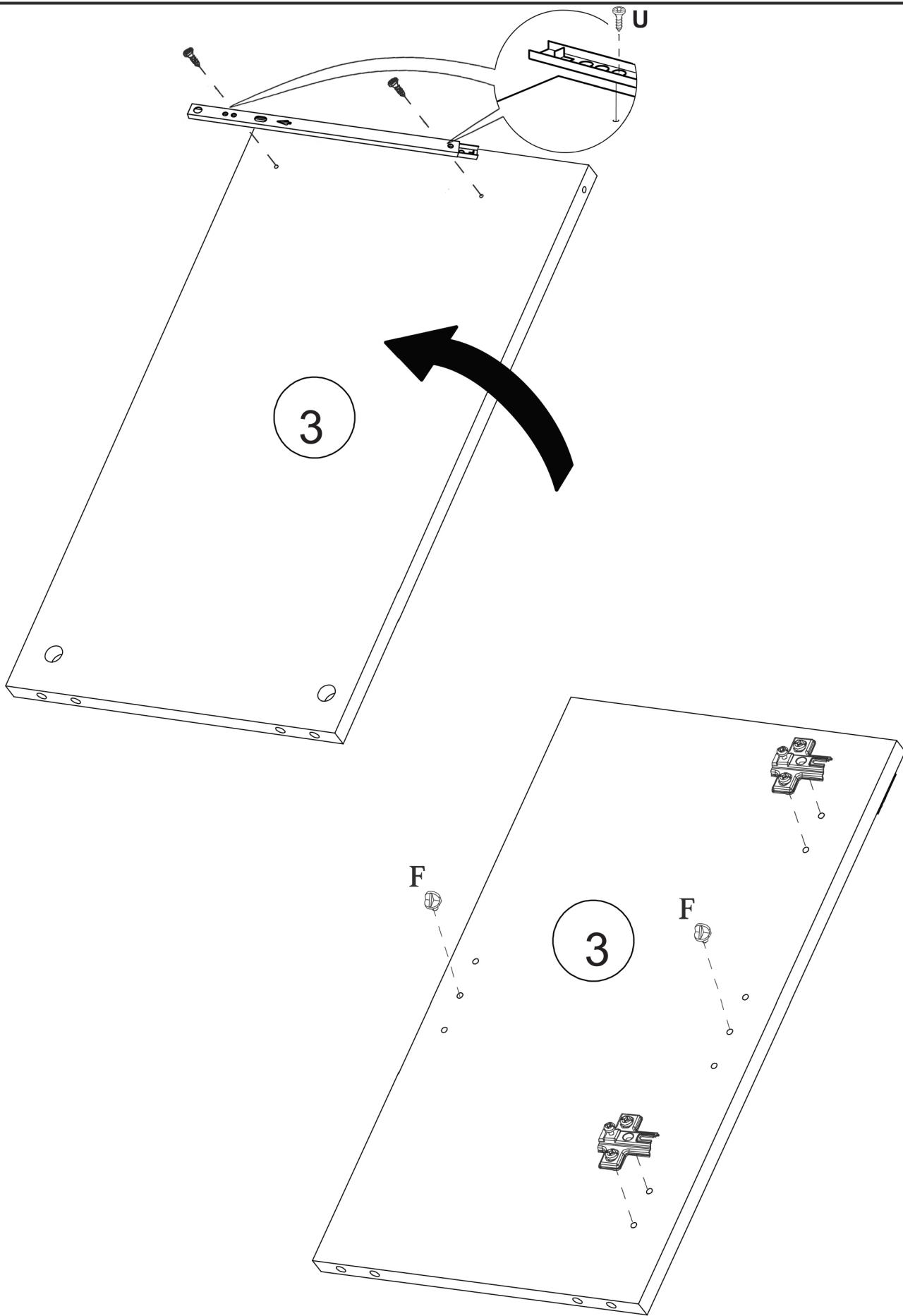
A  x10	B  x10	C  x4	D  3,5x13 x24	E  x10	F  x4	G  x4	H  x4	I  x2	J  x2	K  x2
L  x14	M  6x15 x4		O  x1	P  x1	Q  x1	R  x1	U  3x13 x10	V  x2	W  x2	

2







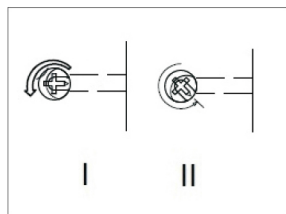
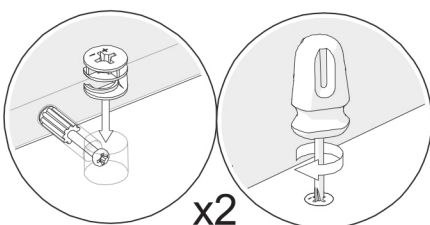
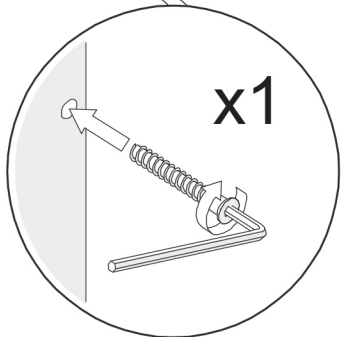
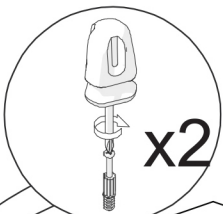
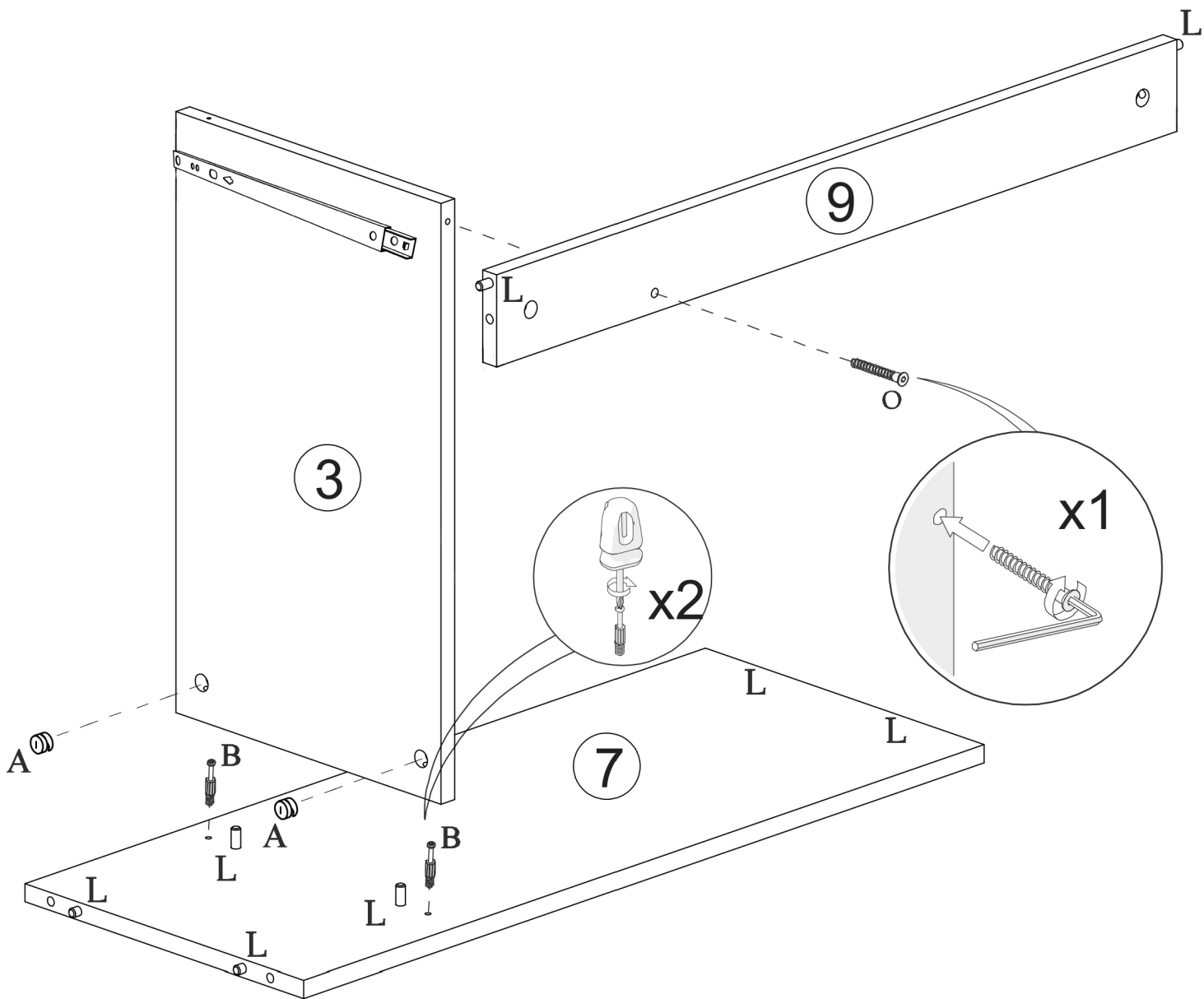
B  x6	F  x2	G  x4	I  x2	M  x4	R  x1	U  x2
---	---	---	---	---	--	---

3



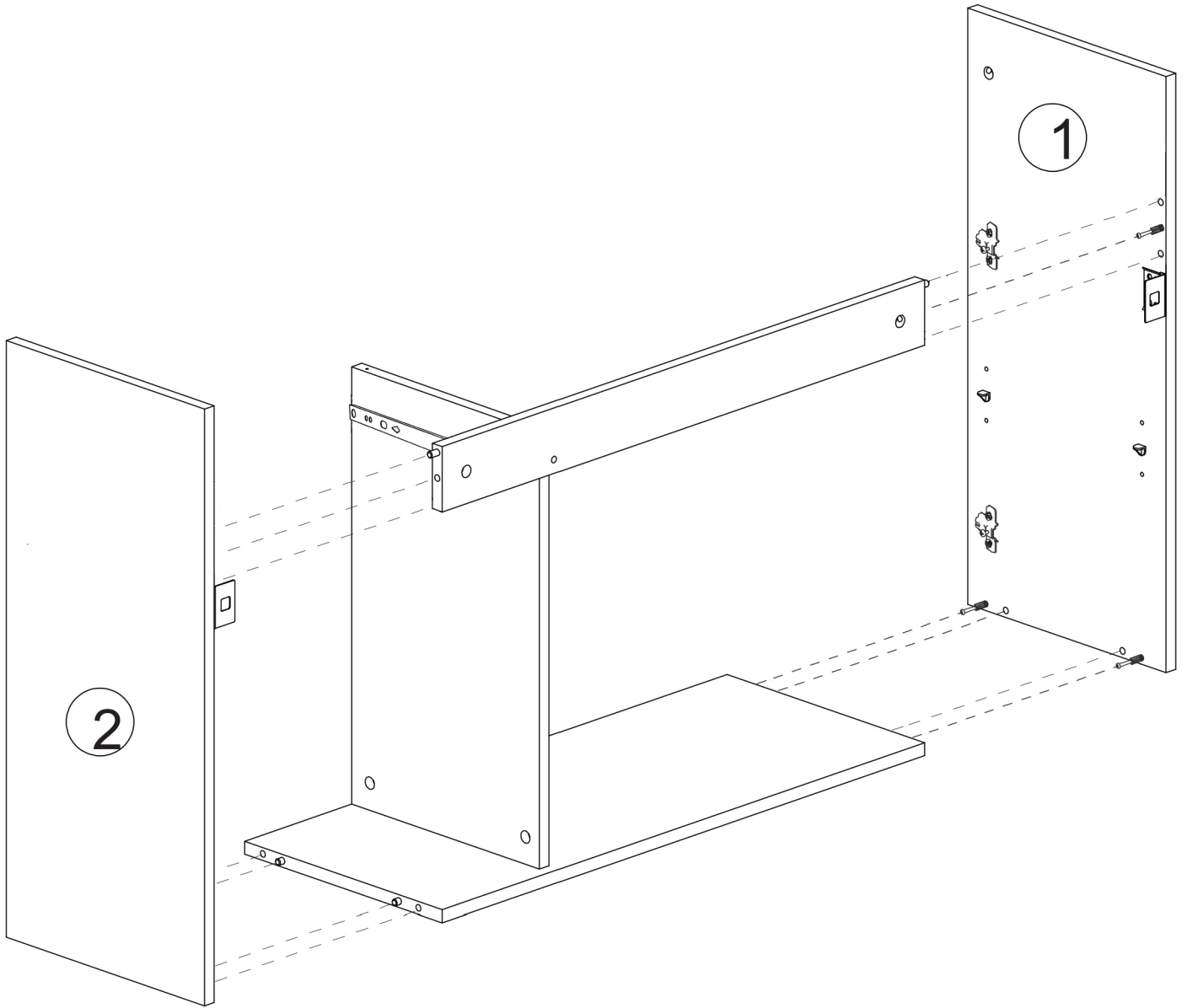
4

<p>F</p>  <p>x2</p>	<p>V</p>  <p>x2</p>	<p>Q</p>  <p>x1</p>	<p>U</p>  <p>x2</p>
---	---	--	---

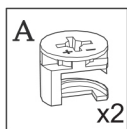
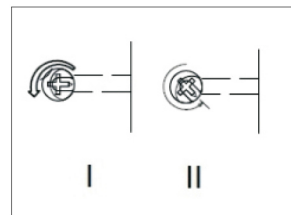
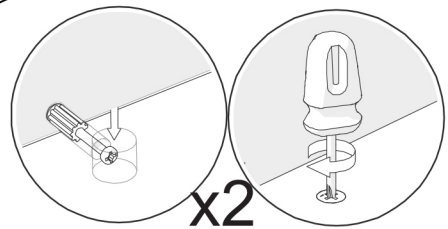
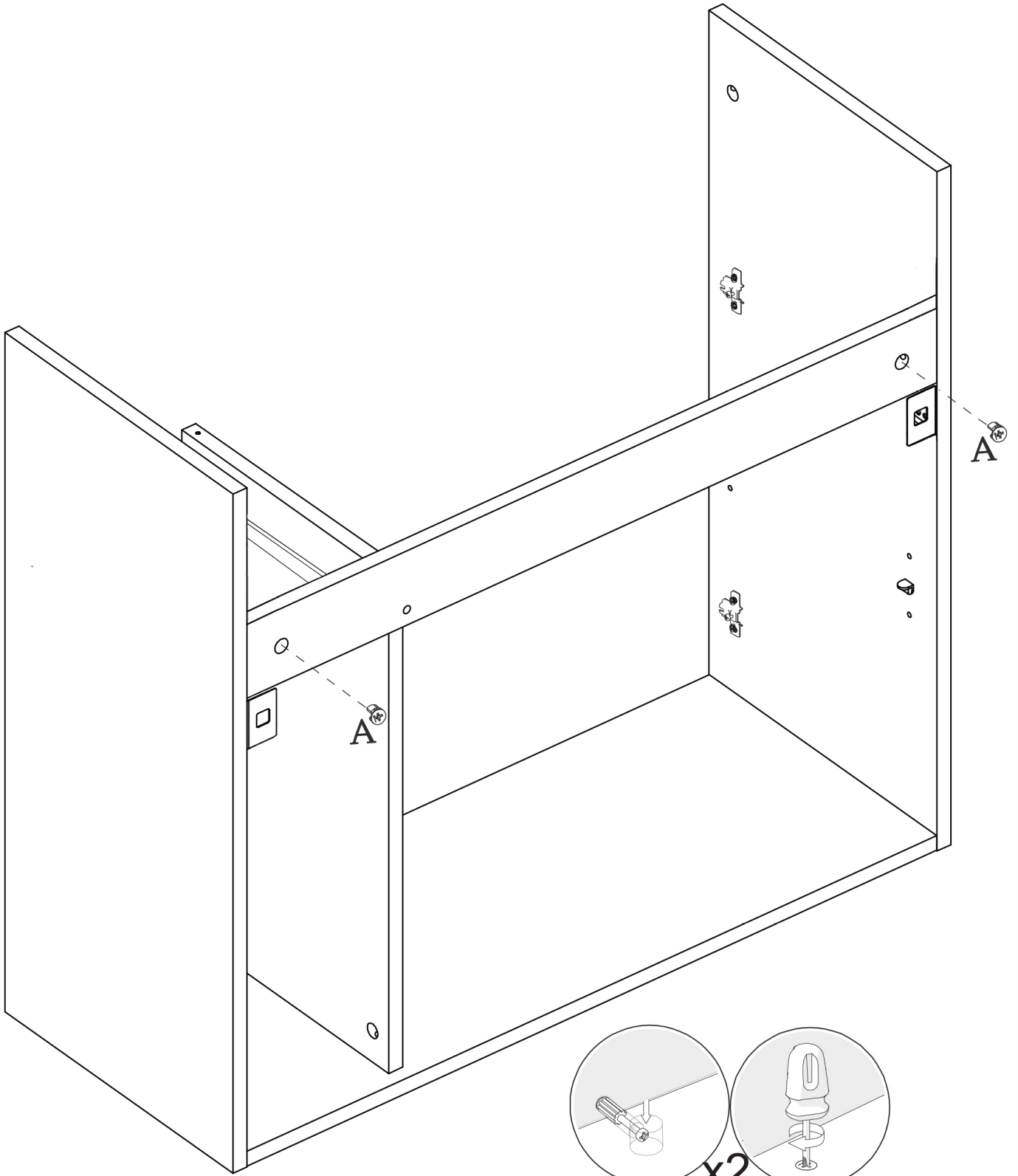


<p>A x2</p>	<p>B x2</p>	<p>L x8</p>	<p>O x1</p>
-----------------	-----------------	-----------------	-----------------

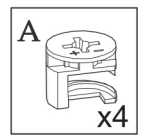
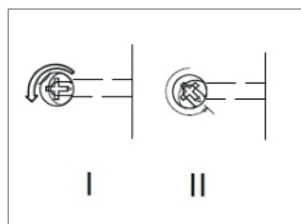
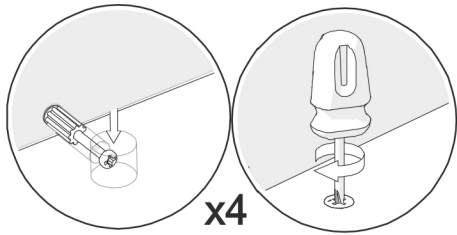
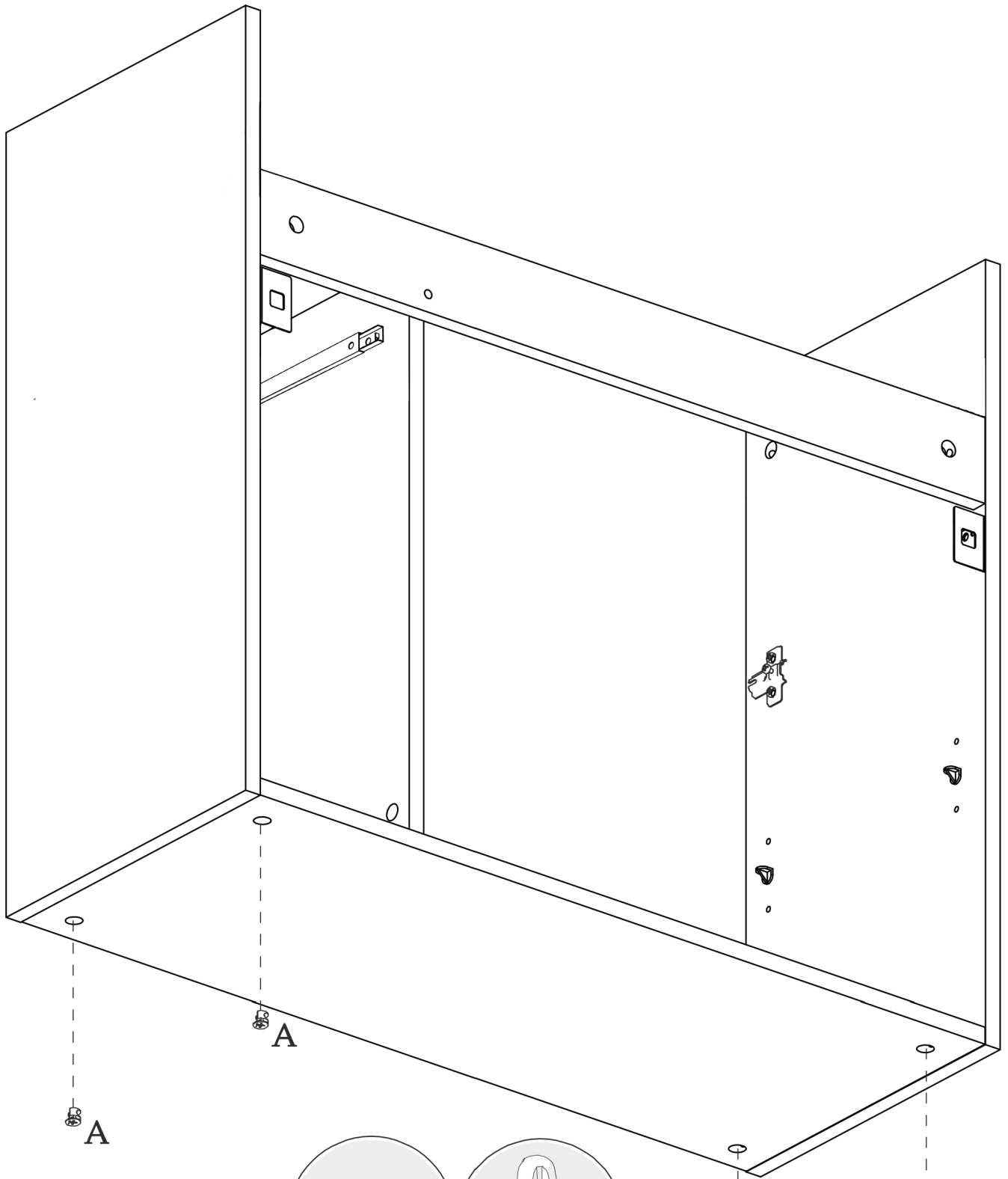
5



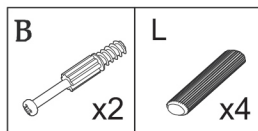
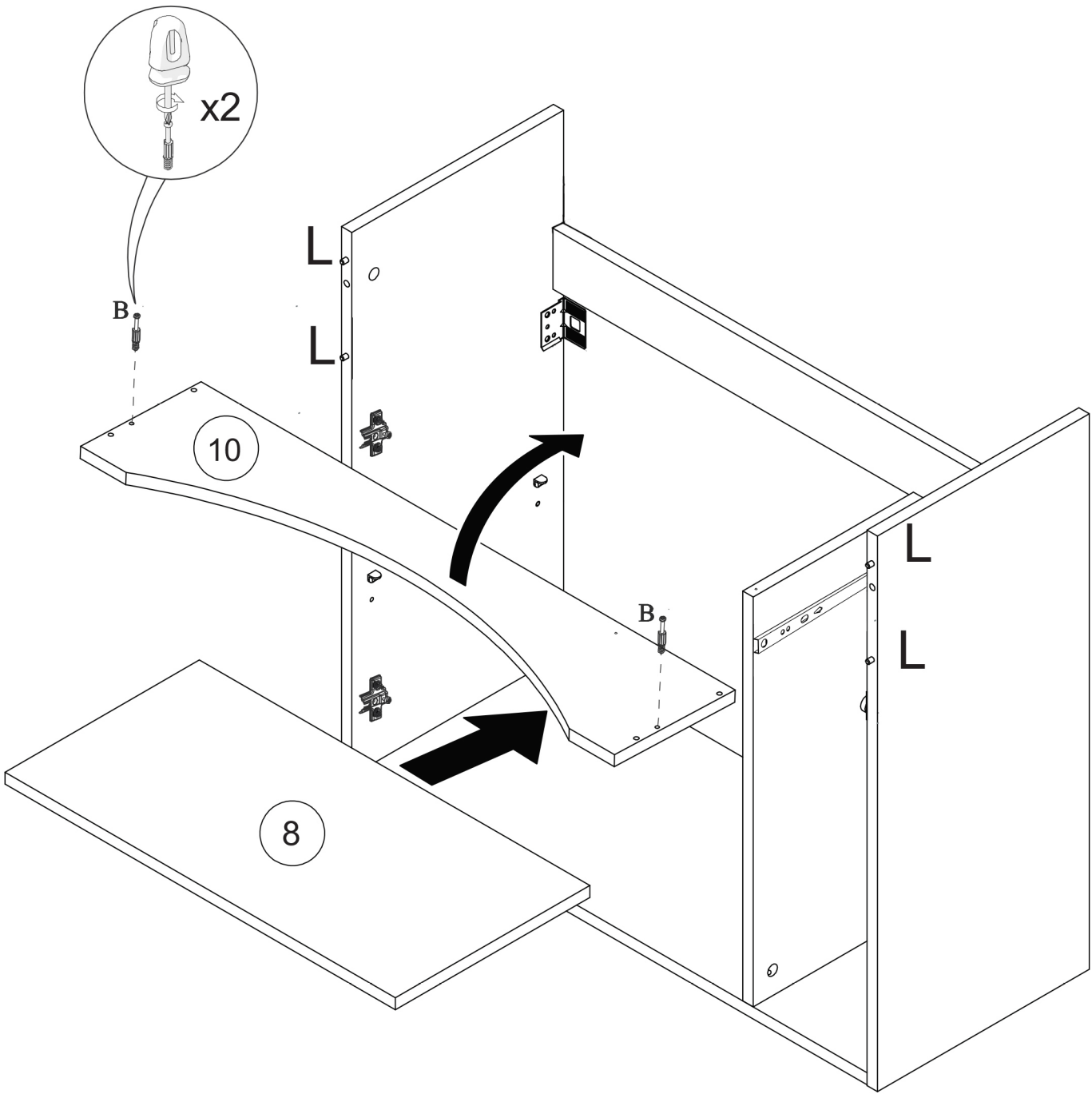
6



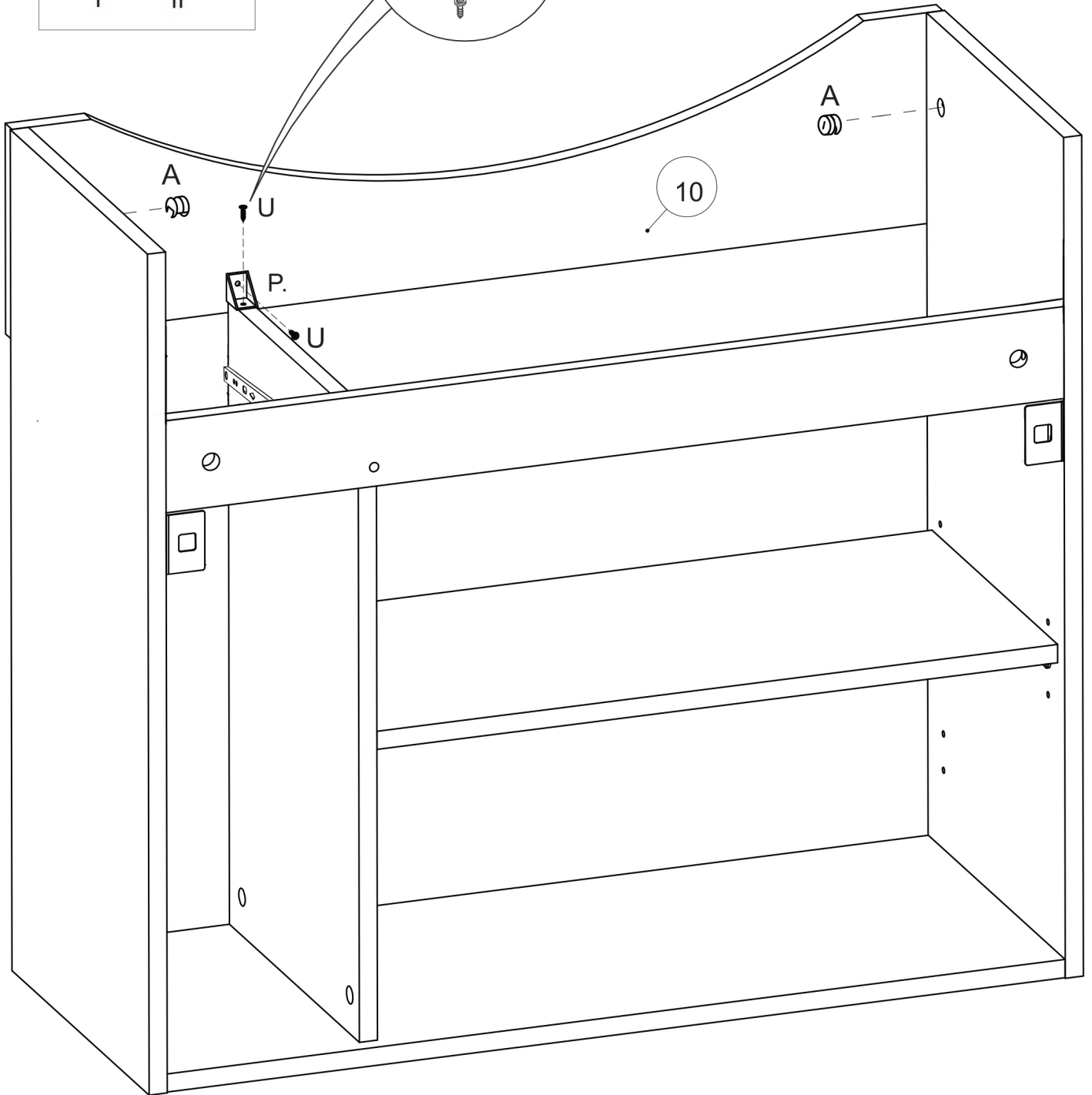
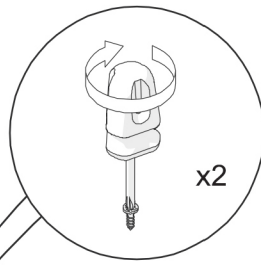
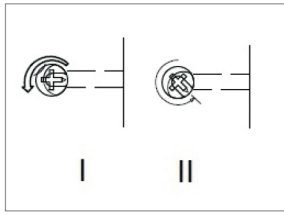
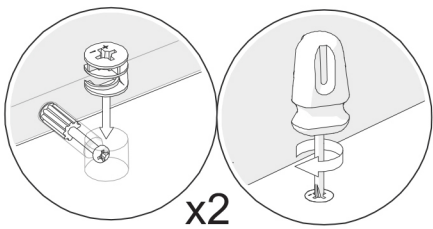
7



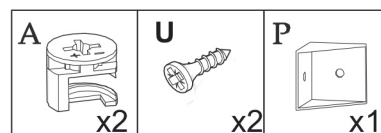
8

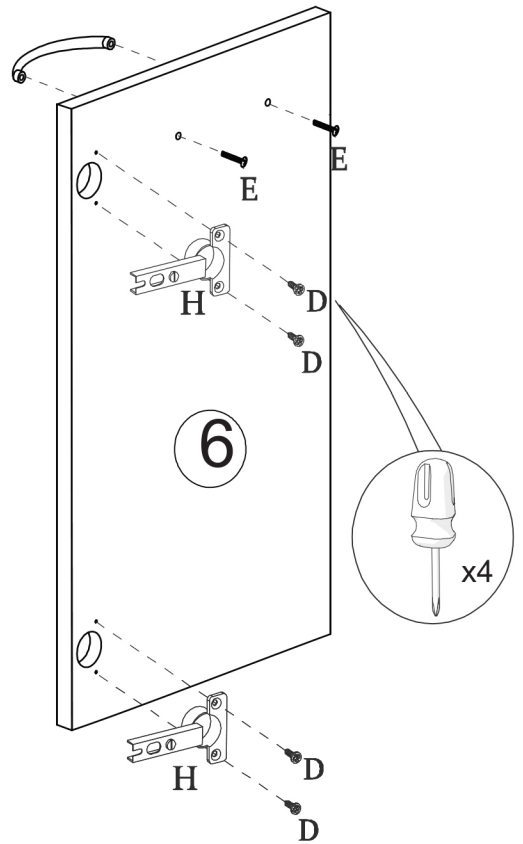
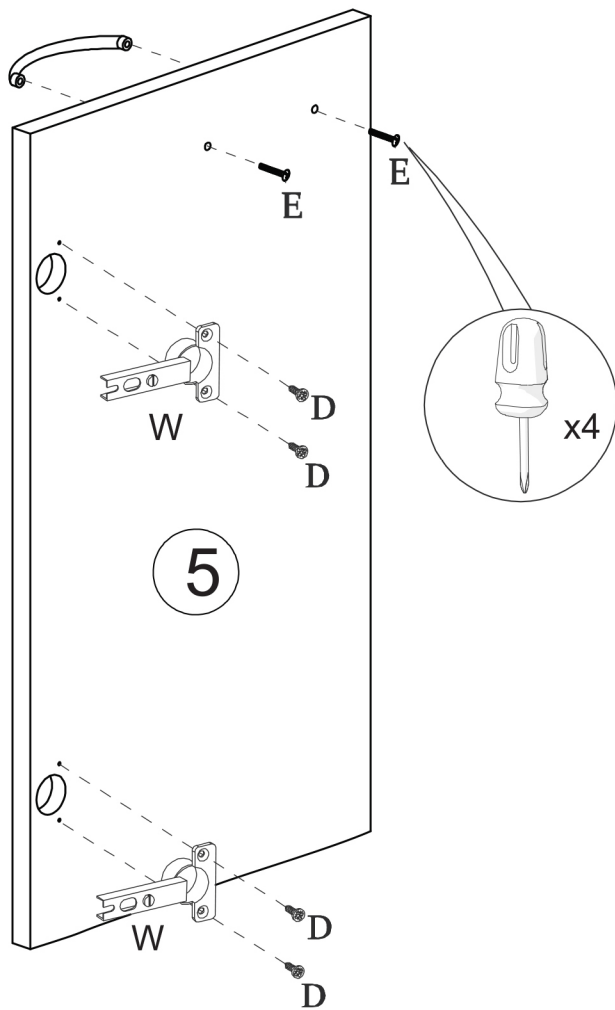
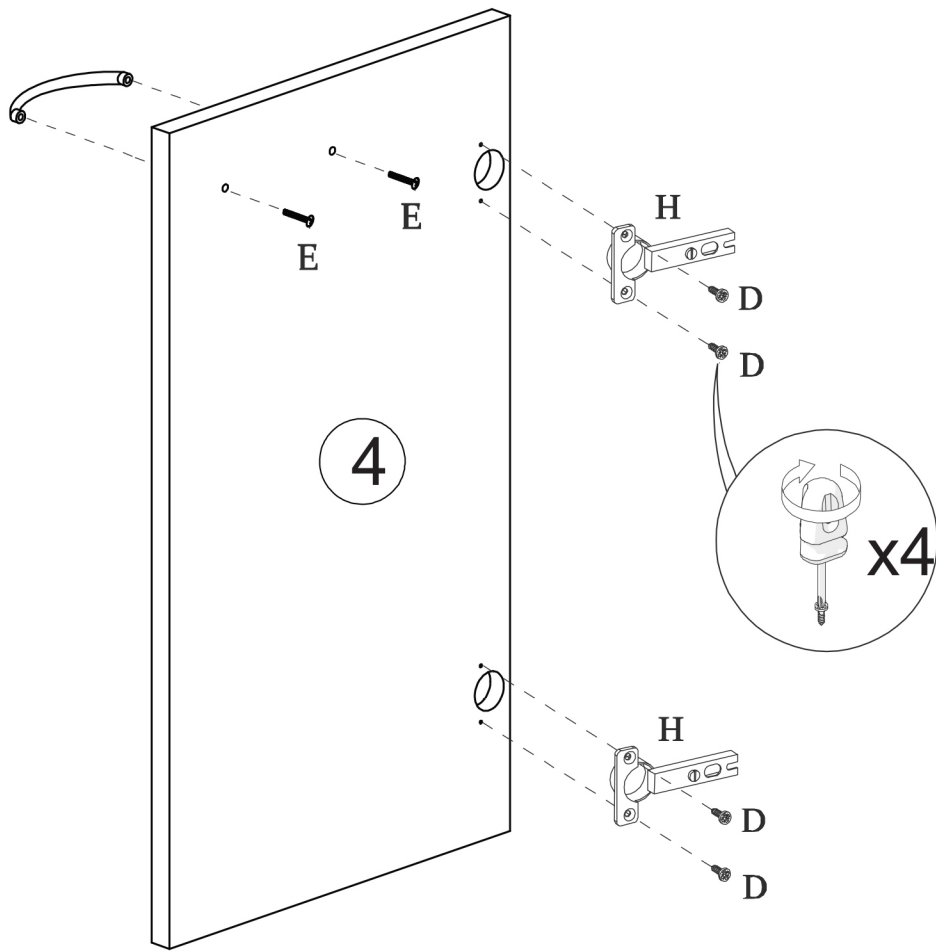


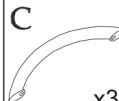




9

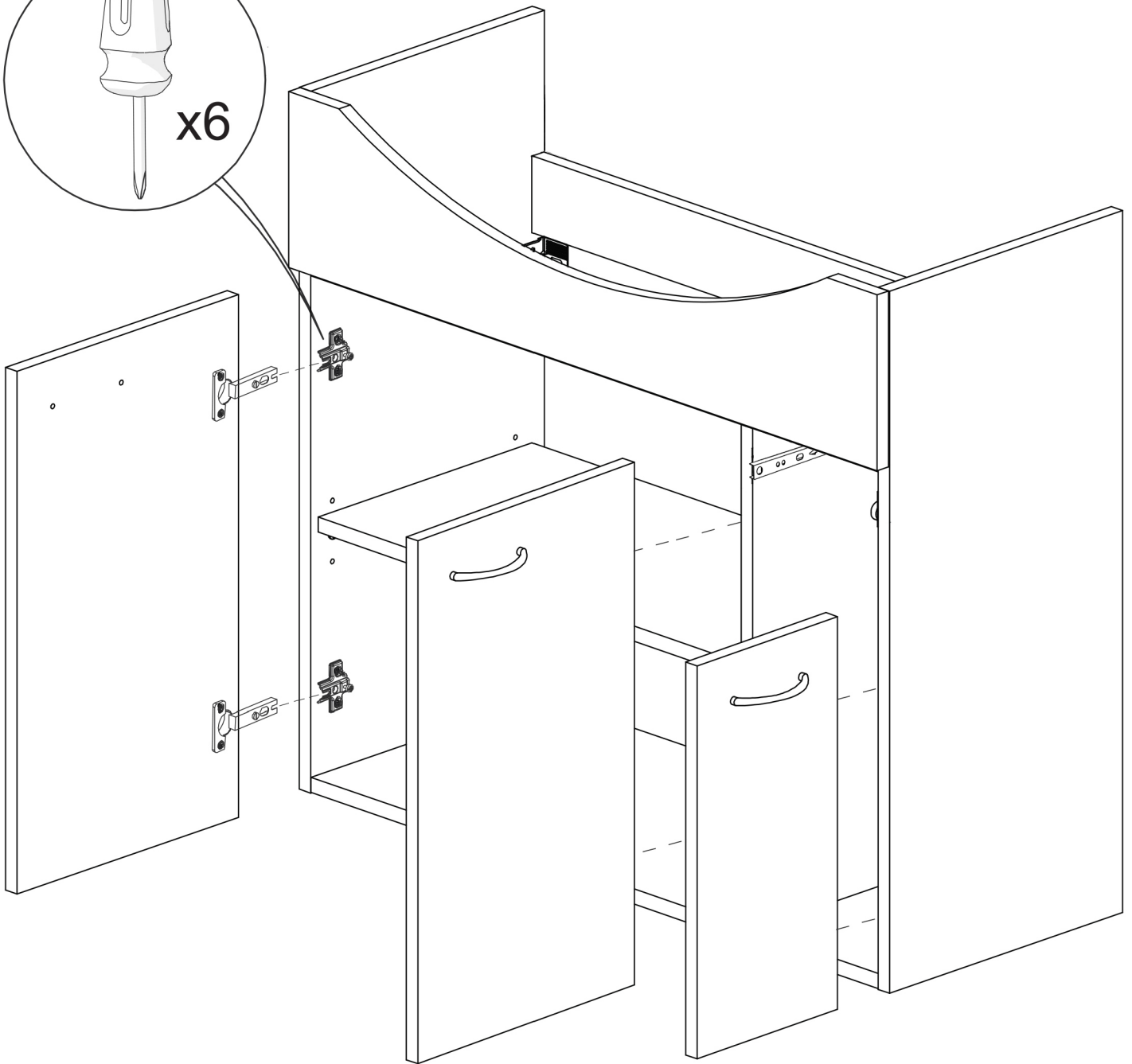
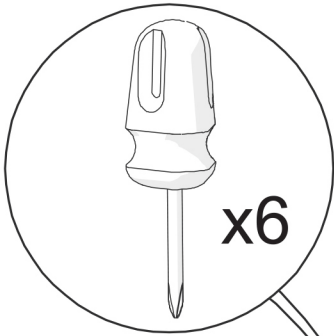
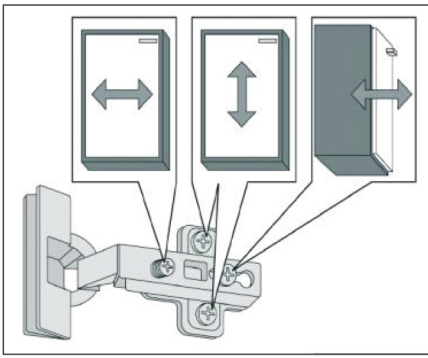


10

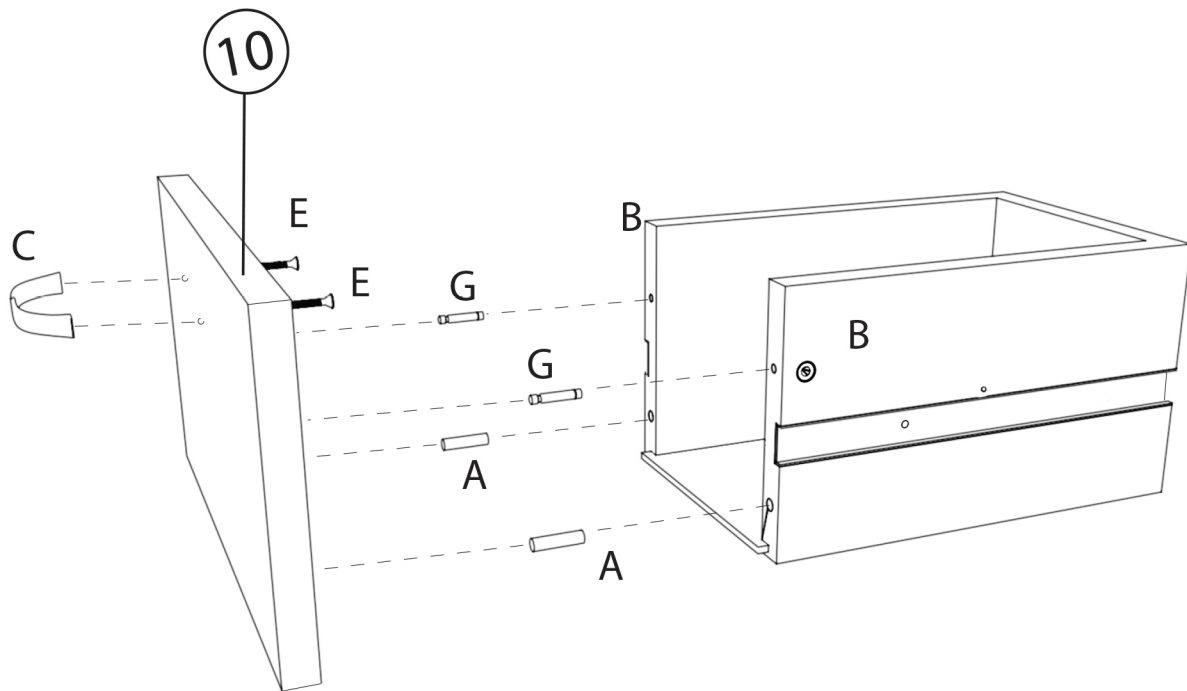
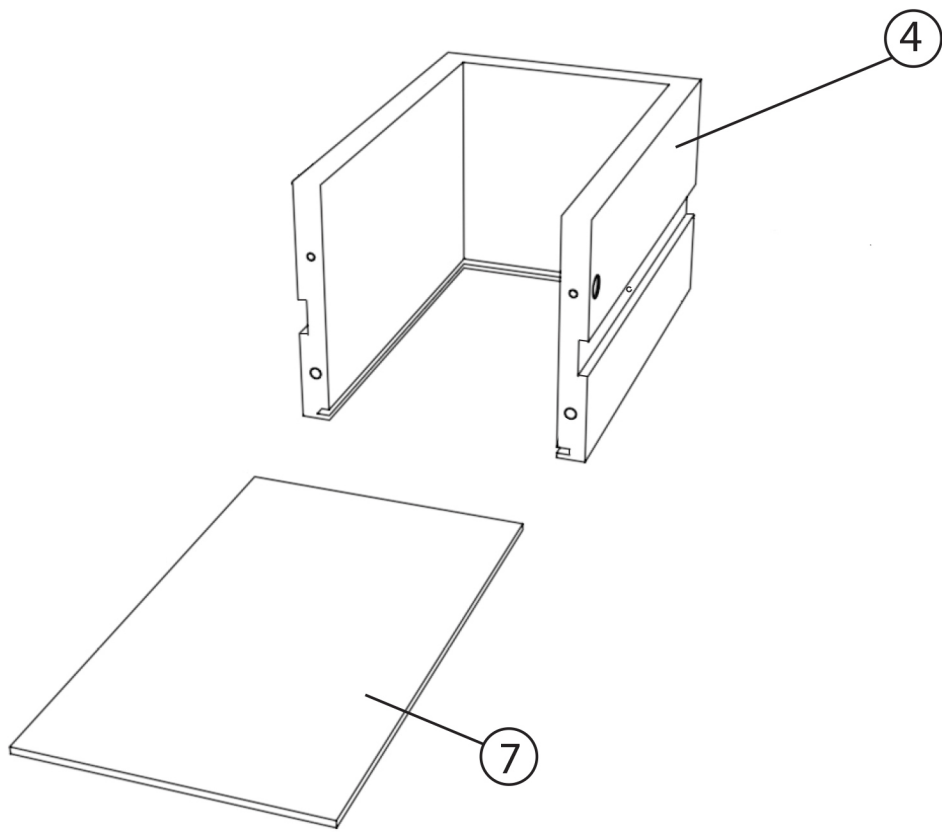








C  x3	D  x12	E  x6	H  x4	W  x2
--	--	---	---	---

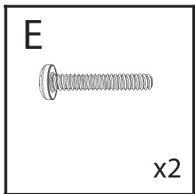
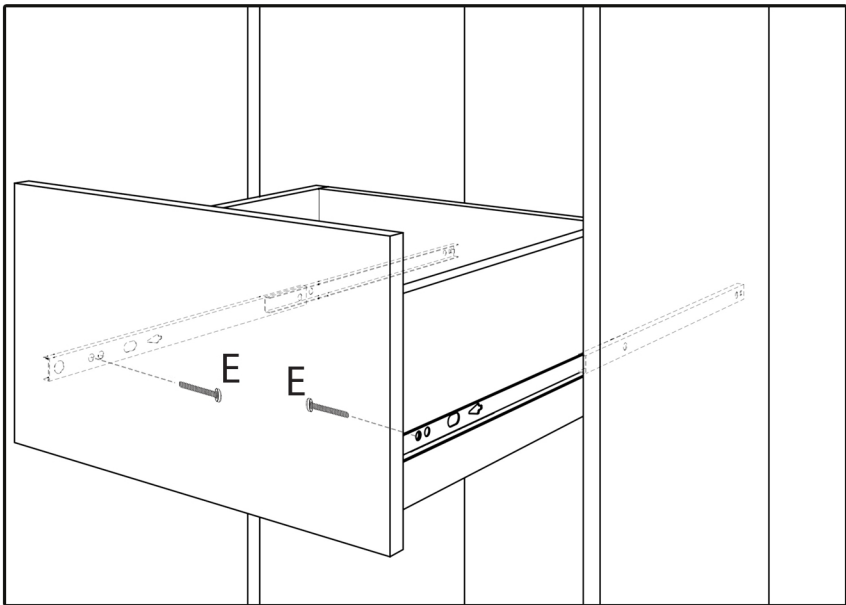
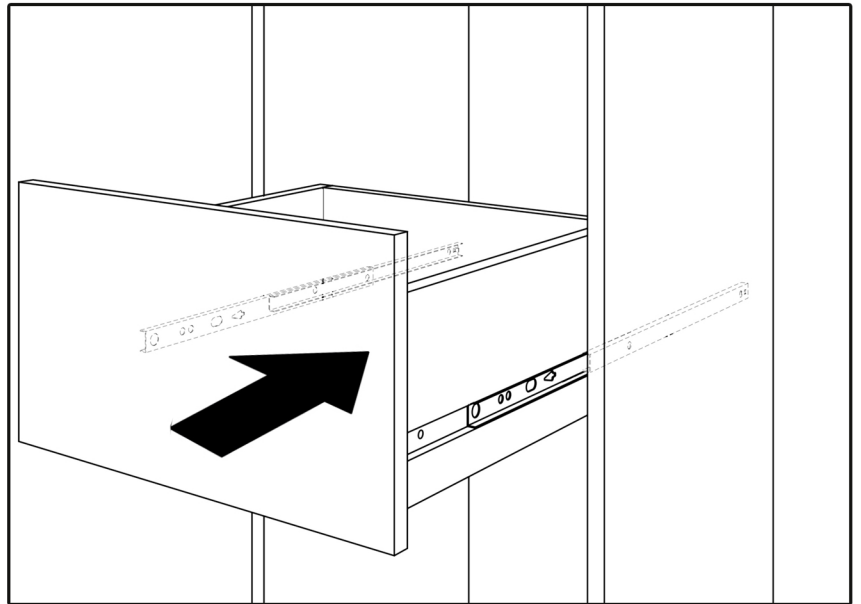
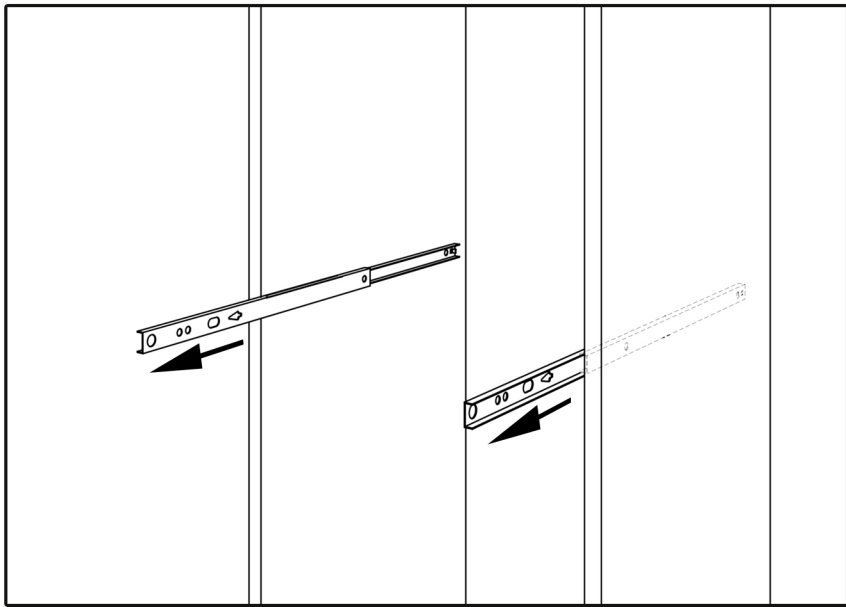


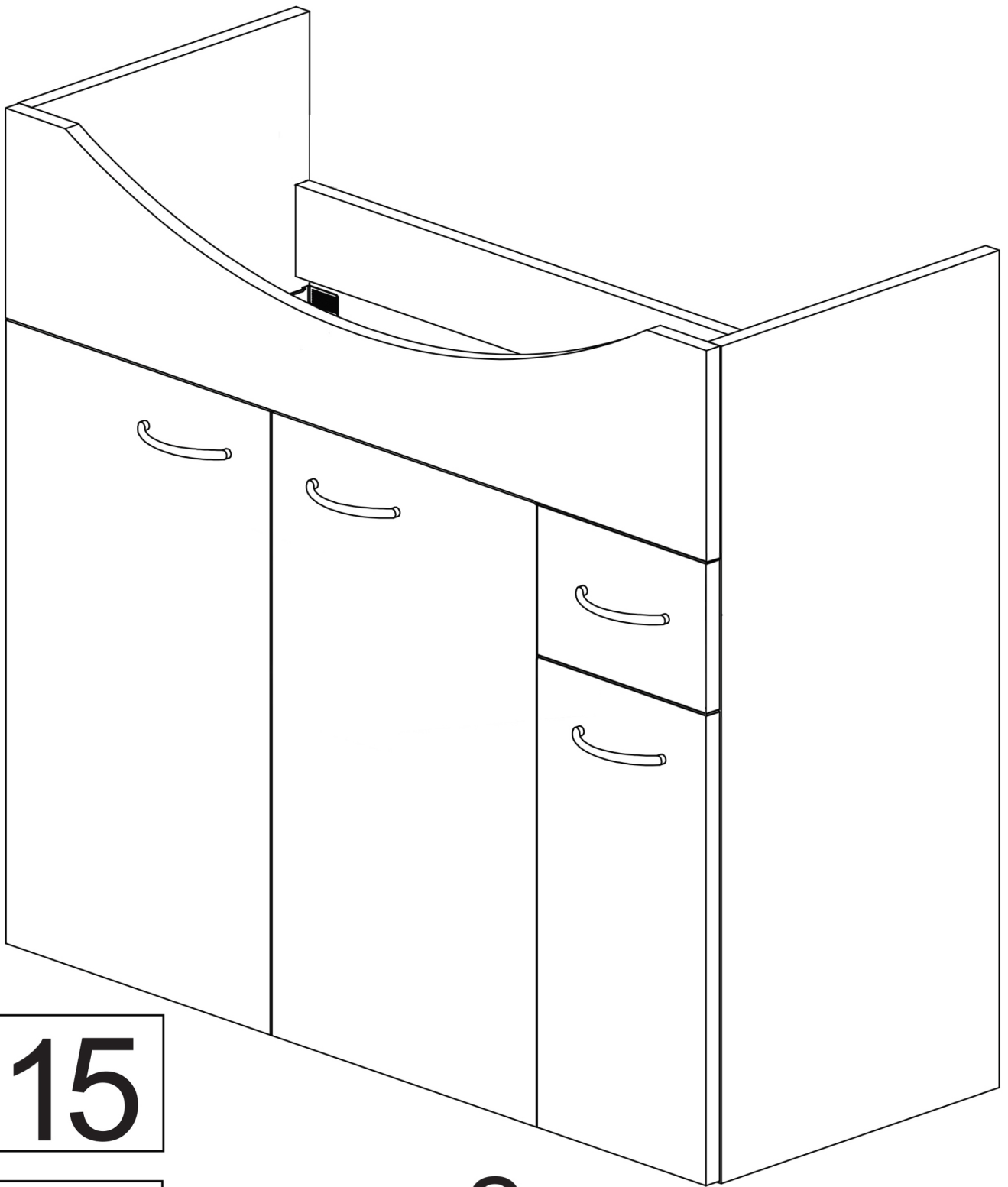
12



13

<p>G</p>  <p>x2</p>	<p>A</p>  <p>x4</p>	<p>C</p>  <p>x1</p>	<p>B</p>  <p>x2</p>
--	--	--	--

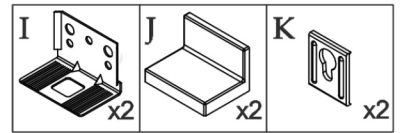




15

16

x2



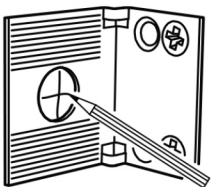
I

I

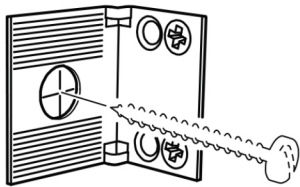
I+K

I+K

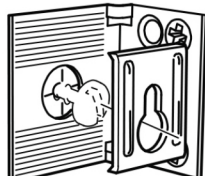
I+K+J



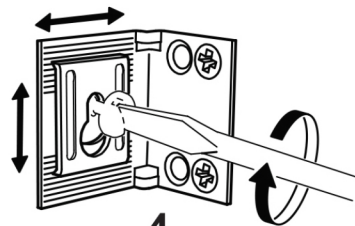
1



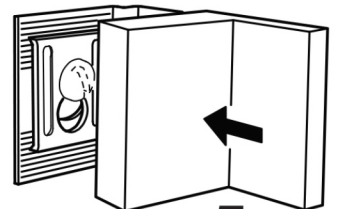
2



3



4



5